



ESA Messtechnik GmbH

Schlossstr. 119 - D-82140 Olching / München
 Telefon: +49 (0)8142 444 130 - Fax: +49 (0)8142 444 131
 Internet: www.esa-messtechnik.de
 E-Mail: info@esa-messtechnik.de

Force Transducer Type CL 17p

FEATURES:

The double bending beam / single point load cell CL 17p with 350 Ω strain gauge full bridge are ideally suitable for low range scale designs, platform scales in particular as well as load force measurement applications. As weighing cells, they are widely accepted in many retail



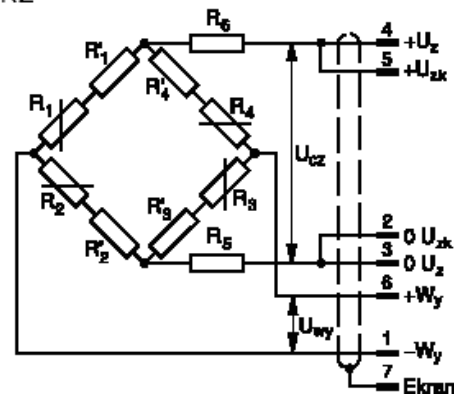
and light industries as well as with postal scale designs. The use of single point load cell results in highly simplified scale and platform designs because mechanical flexure and levers are not needed any more. Type CL 17p load cells are featuring very high zero stability, and they are available with 1 mV/V or 2 mV/V sensitivity.

TECHNICAL SPECIFICATIONS:

Range	[kN]	0,01; 0,02; 0,05; 0,1 ; 0,2; 0,5; 1; 2; 5
Accuracy	%	0,05 or 0,1 (referred to full scale)
Sensitivity	[mV/V]	1 - R1, 2 - R2
Nominal supply voltage	[VDC]	10
Input resistance	[Ω]	410 +10
Output resistance	[Ω]	350 + 5
Operating temperature range	[$^{\circ}$ C]	-20 to 100
Compensated temperature range	[$^{\circ}$ C]	20 to 90
Zero drift	[%/30 min]	$\leq 0,03$
Hysteresis after unloading from nominal load	[%]	$\leq 0,03$
Temperature effect on sensitivity	[%/10K]	$\leq 0,05$
Temperature effect on zero	[%/10K]	$\leq 0,05$
Maximum strain	[mm]	0,5
Overload	[%]	50
Isolation resistance	[G Ω]	≥ 40
Connectors		O-Ring gland (O1)
Protection system		IP67
Dimensions		See drawing and table below
Spring element material		Aluminium
Cable length		3 m (standard) or other optional

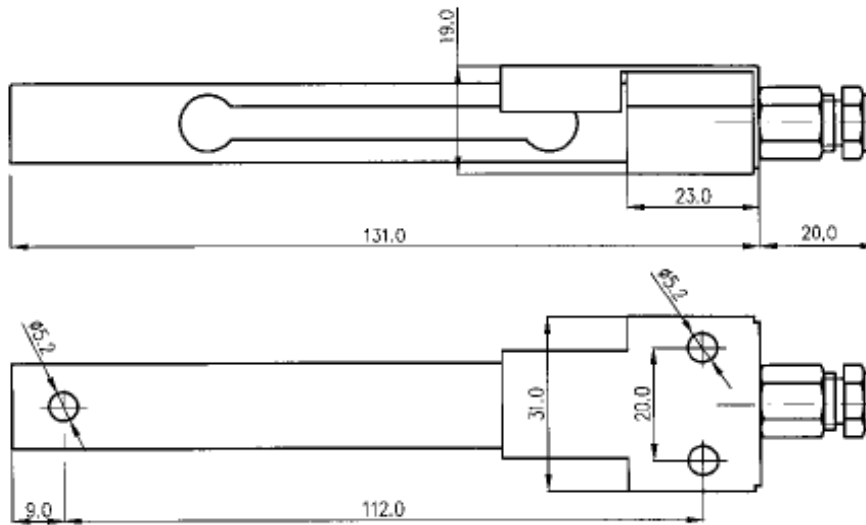
Circuit diagram for the Force Transducer CL 17p:

R1, R2

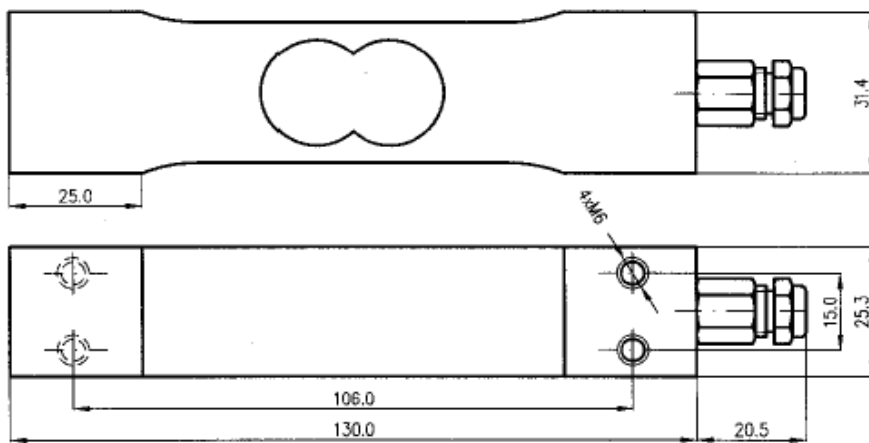


DIMENSIONS:

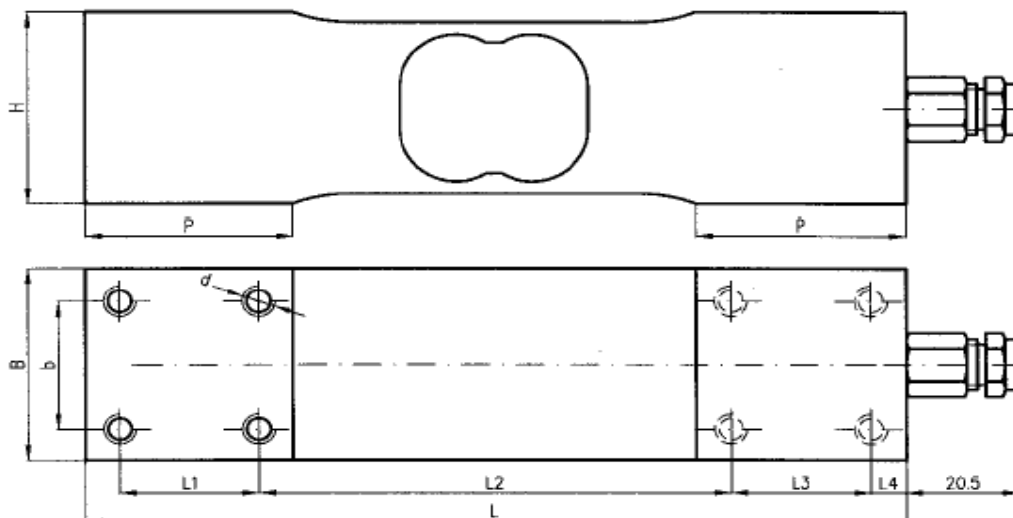
Range 0,01; 0,02 kN



Range 0,05; 0,1; 0,2; 0,5 and 1 kN



Range 2 and 5 kN



Range kN	B	H	L	L1	L2	L3	L4	P	b	d	Weight kg
	mm										
0,01; 0,02	-	-	-	-	-	-	-	-	-	-	0,11
0,05; 0,1; 0,2; 0,5; 1	-	-	-	-	-	-	-	-	-	-	0,21
2; 5	39,4	59	188	35	107	35	5,5	46	28	M8	1,01

ORDER INFORMATION:

CL17p-5 kN-0,1-R2-10-O1-1

Measuring Range _____

Accuracy Class _____

Configuration / Sensitivity (R1 or R2) _____

Excitation _____

Connectors (O1) _____

Wire Length in m _____