



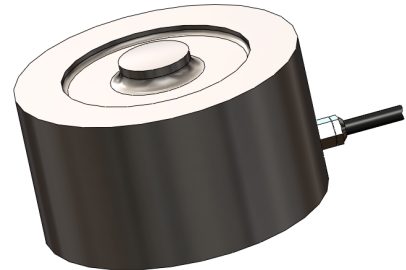
ESA Messtechnik GmbH

Schlossstr. 119 - D-82140 Olching / Munich
 Telefon: +49 (0)8142 444 130 - Fax: +49 (0)8142 444 131
 Internet: www.esa-messtechnik.de
 E-Mail: info@esa-messtechnik.de

Compression Transducer Model CL-16me

Features:

- High range compression transducer
- High accuracy
- Low profile with high measuring range
- Very rigid design
- Versions with integrated amplifier CL 72-3I (current output) or CL72-3U (voltage output) available



Specifications:

Range	[kN]	50; 100; 200, 300, 400, 500, 1200
Accuracy	%	0,2 or 0,5 (referred to full scale)
Sensitivity	[mV/V]	1 - R1, 2 - R2
Output signal with integrated amplifier	mA / V	0 to 20 / 10
Exc. Voltage	[VDC]	10 / 24 with integrated amplifier
Input Impedance	[Ω]	730 ± 25
Output Impedance	[Ω]	700 ± 5
Operating Temp. Range	[°C]	-20 to +100
Compensated Temp. Range	[°C]	+20 to +90
Zero Drift	[%/30 min]	≤ 0,03
Hysteresis after nominal load	[%]	≤ 0,03
Temp. Stability of Sensitivity	[%/10K]	≤ 0,05
Temp. Stability of Zero	[%/10K]	≤ 0,05
Max. Strain	[mm]	0,1
Overload Capability	[%]	50
Insulation Resistance	GΩ	≥ 40
Connector		O-Ring (O1)
Protection		IP64
Dimensions		See drawing and table below
Spring Element Material		Steel
Connecting Cable Length		3m (standard), or according to specification

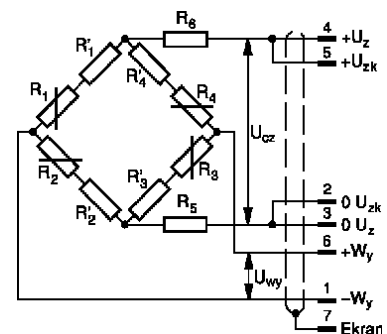
Wiring schematic:

without integrated amplifier:

- | | |
|----------|------------|
| 1 brown | - W_y |
| 2 pink | 0 U_{zk} |
| 3 white | 0 U_z |
| 4 yellow | + U_z |
| 5 grey | + U_{zk} |
| 6 green | + W_y |
| 7 black | guard |

with integrated amplifier:

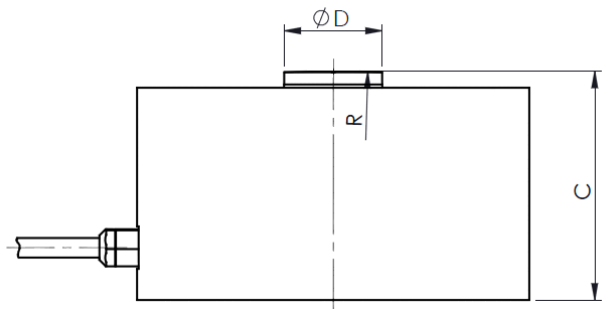
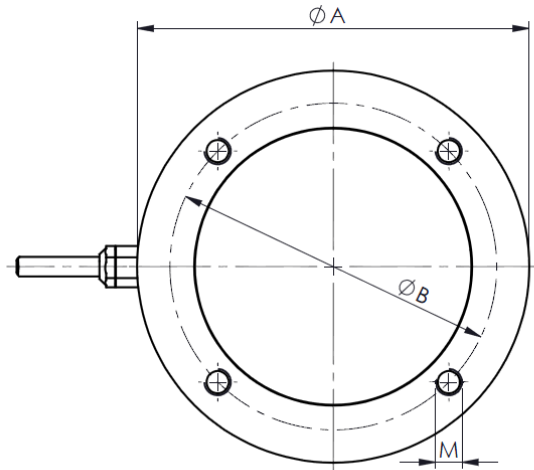
- | | |
|--------|------------------------|
| yellow | + 24V |
| white | GND |
| green | + W_y I or + W_y U |
| black | guard |



Dimensions:

Range	Ø A	Ø B	C	Ø D	R	M
kN	mm	mm	mm	mm	mm	mm
50	76	64	51	19	300	6
100	76	64	51	19	300	6
200	76	64	58	19	300	6
300	120	100	70	30	350	8
400	120	100	70	30	350	8
500	120	100	70	30	350	8
1200	180	158	100	86	350	10

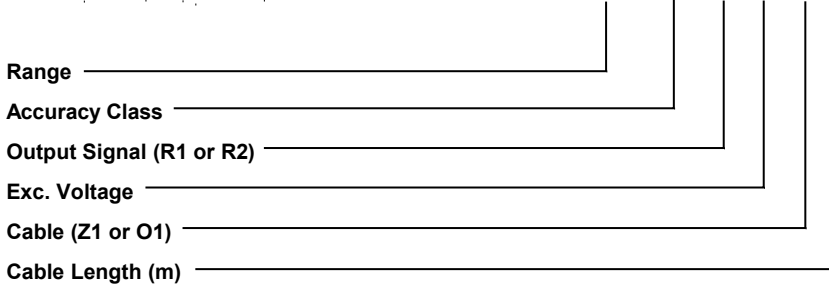
Other ranges on request!



Ordering Information:

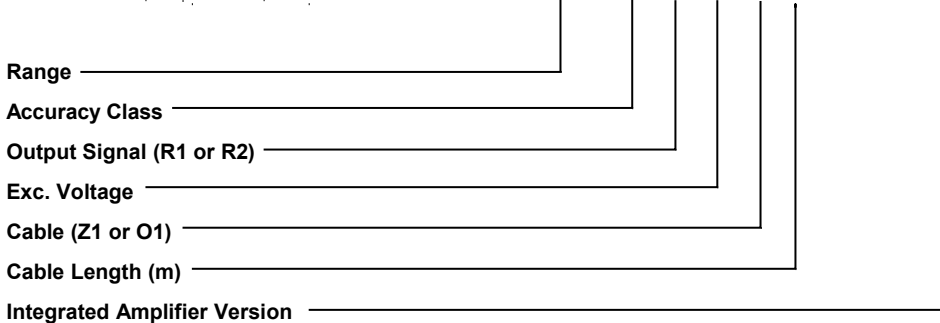
without integrated amplifier

CL16me-300 kN-0,2-R1-10-O1-3



With integrated amplifier

CL16me-300 kN-0,2-R2-24-O1-3-CL72 3I I_{wy} / CL72 3U U_{wy}



CL72 3I I020

with current output 0 to 20 mA

CL72 3I I420

with current output 4 bis 20 mA

CL72 3U U10 / U05 / U02 / U01

with voltage output ± 10 V / ± 5 V / ± 2 V / ± 1V