



ESA Messtechnik GmbH

Schlossstr. 119 - D-82140 Olching / Munich
 Telefon: +49 (0)8142 444 130 - Fax: +49 (0)8142 444 131
 Internet: www.esa-messtechnik.de
 E-Mail: info@esa-messtechnik.de

Force Transducer Model CL-14d

Features:

- Measurement of tension forces
- Specially suited for crane applications
- High accuracy
- Available with shackles
- Use with remote read-outs
- Rigid design, easy to use

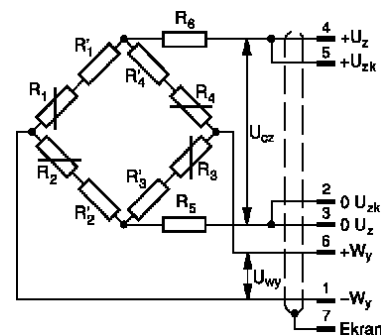
Specifications:

Range	[kN]	20; 50; 75; 100; 150; 200; 300
Accuracy	%	0,2 (referred to full scale)
Sensitivity	[mV/V]	1 – R1, 2 – R2
Excitation Voltage	[VDC]	10
Input Impedance	[Ω]	350 ± 5
Output Impedance	[Ω]	350 ± 5
Operating Temp. Range	[°C]	-20 to +100
Compensated Temp. Range	[°C]	+20 to +90
Zero Drift	[%/30 min]	≤ 0.03
Hysteresis after unloading from nominal load	[%]	≤ 0.03
Temp. Stability of Sensitivity	[%/10K]	≤ 0.05
Temp. Stability of Zero	[%/10K]	≤ 0.05
Max. Strain	[mm]	0.5
Overload Capability	[%]	50
Insulation Resistance	GΩ	≥ 40
Cable Connection		Connector Lumberger (Z1)(IP40) or O-Ring (O1)(IP67)
Protection		IP40 or IP67
Dimensions		See drawing and table
Spring Element Material		Steel
Length of Connection Cable		3 m (Standard) or user specification

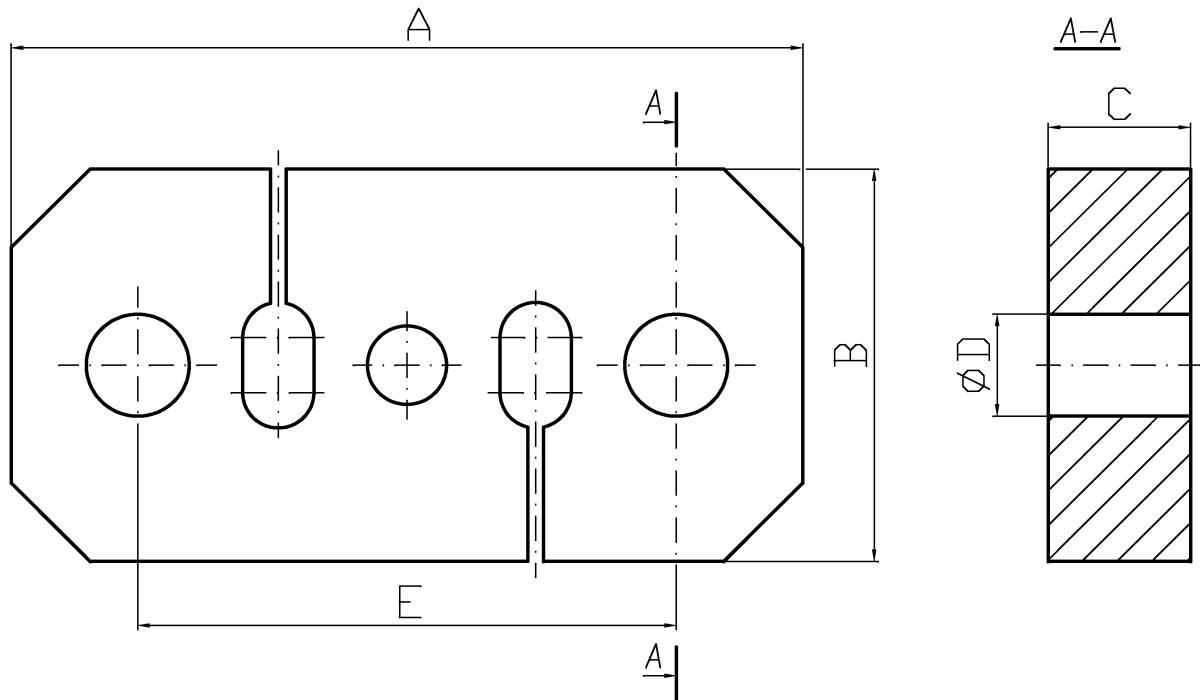


Wiring Schematic:

1 brown	$-W_y$
2 pink	$0 U_{zk}$
3 white	$0 U_z$
4 yellow	$+U_z$
5 grey	$+U_{zk}$
6 green	$+W_y$
7 black	$+W_y$
	guard



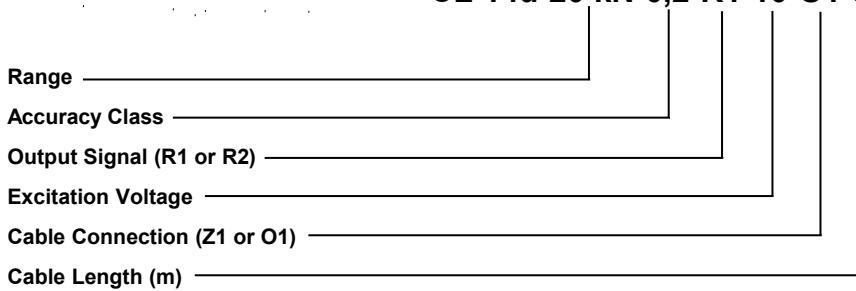
Dimensions:



Range	A	B	C	D	E	Weight
[kN]	[mm]	[mm]	[mm]	[mm]	[mm]	[kg]
20	178	95	18	17H7	119	1,8
50	200	100	36	26H7	136	7,9
75	200	100	41	29H7	130	8,2
100	220	100	50	36H7	136	12,7
150	250	130	58	42H7	170	13,0
200	250	130	70	52H7	148	14,0
300	285	165	71	51H7	160	16,0

Ordering Information:

CL-14d-20 kN-0,2-R1-10-O1-3



This designation stands for: Force transducer Mod. CL-14d, Range 20 kN, Accur. 0.2 %, Sens. 1 mV/V, Exc. Voltage 10 V, Cable Conn. O-Ring (IP67), Cable Length 3 m.